



# INSTALLATION GUIDE

## Secure I/O 2

---

English

**Version 2.10**

# Contents

---

<b>Safety Instructions .....</b>	<b>3</b>
<b>Components .....</b>	<b>4</b>
<b>Front Side .....</b>	<b>5</b>
<b>Installation Example.....</b>	<b>5</b>
<b>Dimensions.....</b>	<b>6</b>
<b>Connections .....</b>	<b>7</b>
Power .....	7
RS-485.....	7
Fail Safe Lock.....	8
Fail Secure Lock .....	8
Door button.....	9
Door sensor .....	9
<b>Product Specifications .....</b>	<b>10</b>
<b>FCC Compliance Information .....</b>	<b>11</b>
<b>Appendix .....</b>	<b>12</b>
Disclaimers .....	12
Copyright Notice .....	12

# Safety Instructions

Please read the following instructions carefully before using the product. This information is important for ensuring the safety of the user and for preventing damage to the user's property.

## Warning

Violation of the instructions may cause serious injury or death.

### Installation Instructions

**Do not install the product in direct sunlight or in a location that is damp or dusty.**

- This can cause a fire or electric shock.

**Do not install the product near any heat source such as electric heaters.**

- This can cause a fire from overheat or electric shock.

**Install the product in a dry place.**

- Moisture can cause product damage or electric shock.

**Install the product in a place where there is no electromagnetic interference.**

- This can cause product damage or electric shock.

**Have qualified service professionals install or repair the product.**

- Otherwise, it can cause a fire, electric shock, or injury.
- If the product is damaged due to a user's unauthorized installation or dismantling of the product, a service fee will be charged for repair.

## Caution

Ignoring these instructions may result in minor injuries or damage to the product.

### Installation Instructions

**Protect the power cord from being walked on or pinched.**

- This can cause product damage or injury.

**Keep the product away from strong magnetic objects such as magnets, TVs, monitors (especially CRT monitors), or speakers.**

- This can cause a failure.

**Secure I/O 2, the electrical locking device and access controller must use independent power source.**

### Operating Instructions

**Do not drop the product or subject it to shock or impact during use.**

- This can cause a failure.

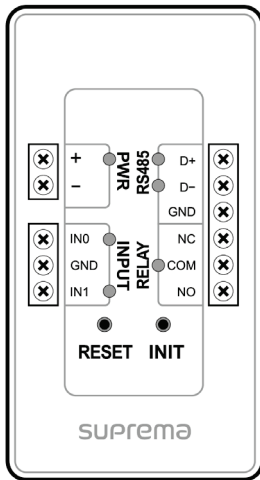
**Do not press the buttons on the product with excessive force or with a sharp tool.**

- This can cause a failure.

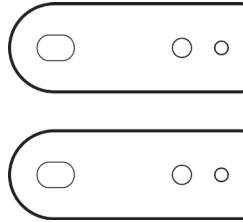
**Clean the product with a soft, dry cloth. Do not use alcohol, benzene, or water.**

- This can cause a product failure.

# Components



Secure I/O 2



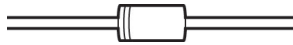
Bracket  
(2 pcs)



Mounting screws for  
bracket  
(2 pcs)

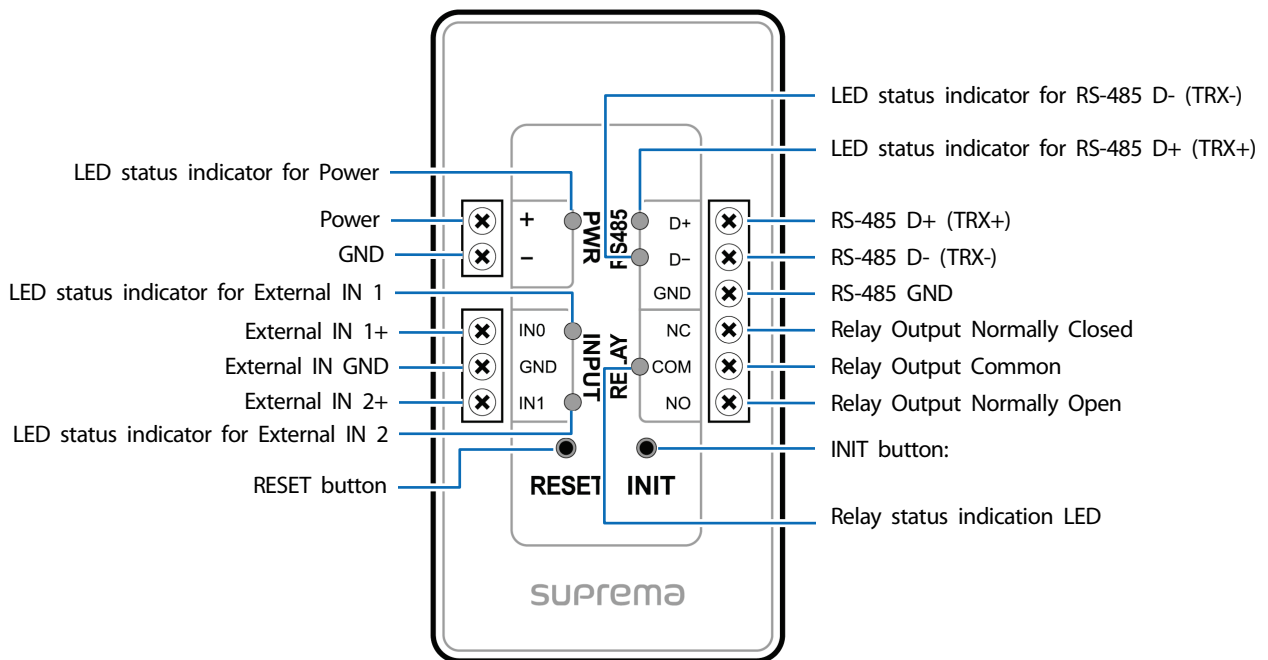


120Ω resistor  
(1 pc)



Diode  
(1 pc)

## Front Side

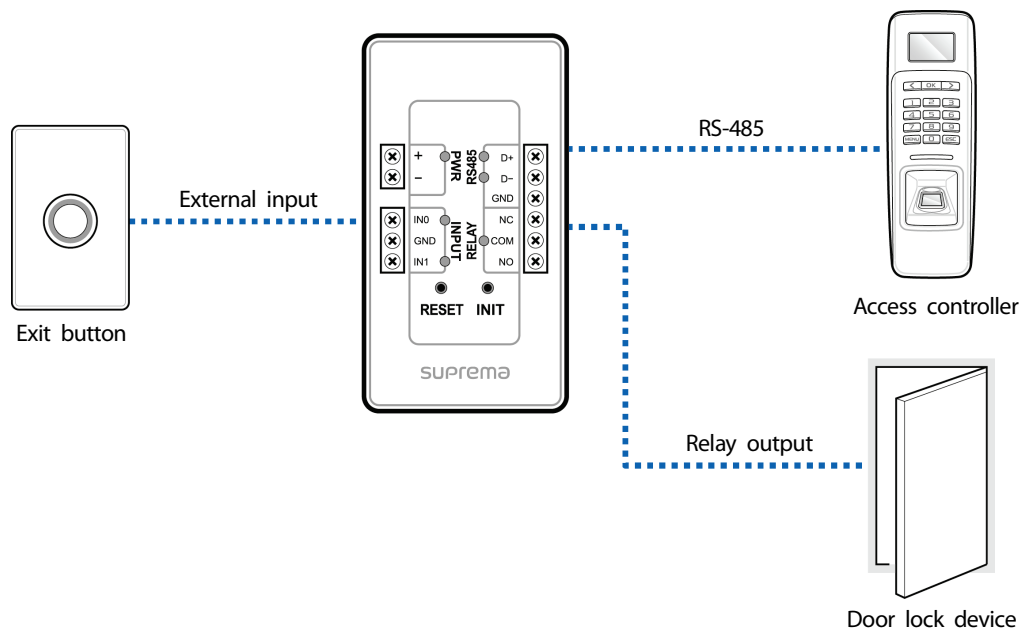


### Note

Press INIT button to reset Secure I/O 2 interworking with a device and then connect to another device.

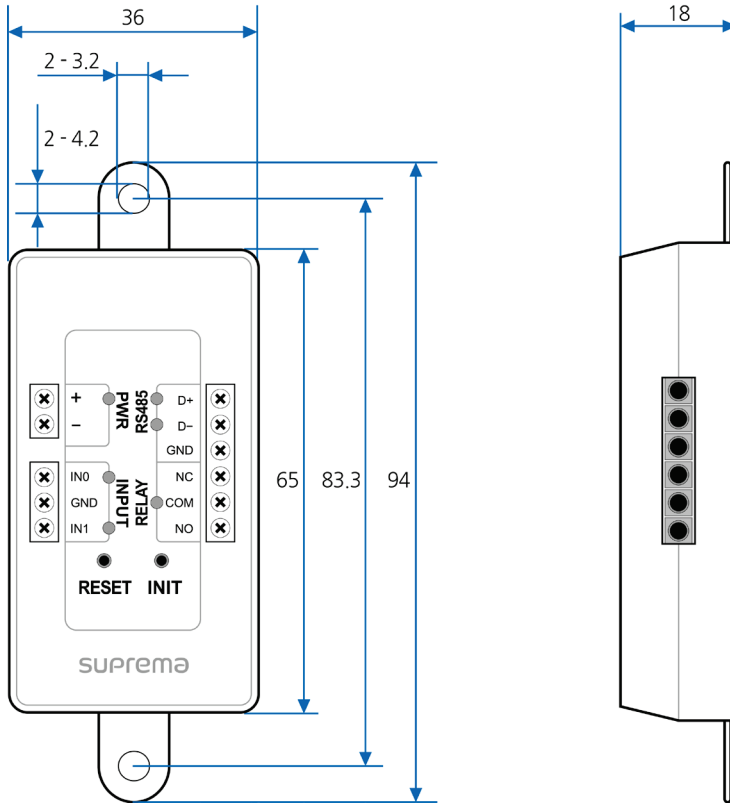
## Installation Example

Secure I/O 2 is connected with RS-485 and can be installed anywhere due to its small size. It can be installed with a junction box or onto a wall control box already installed. It can be installed at the rear side of an Exit button.



# Dimensions

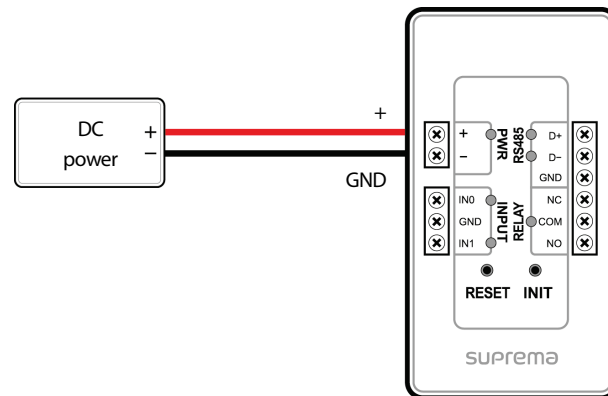
(Unit: mm)



# Connections

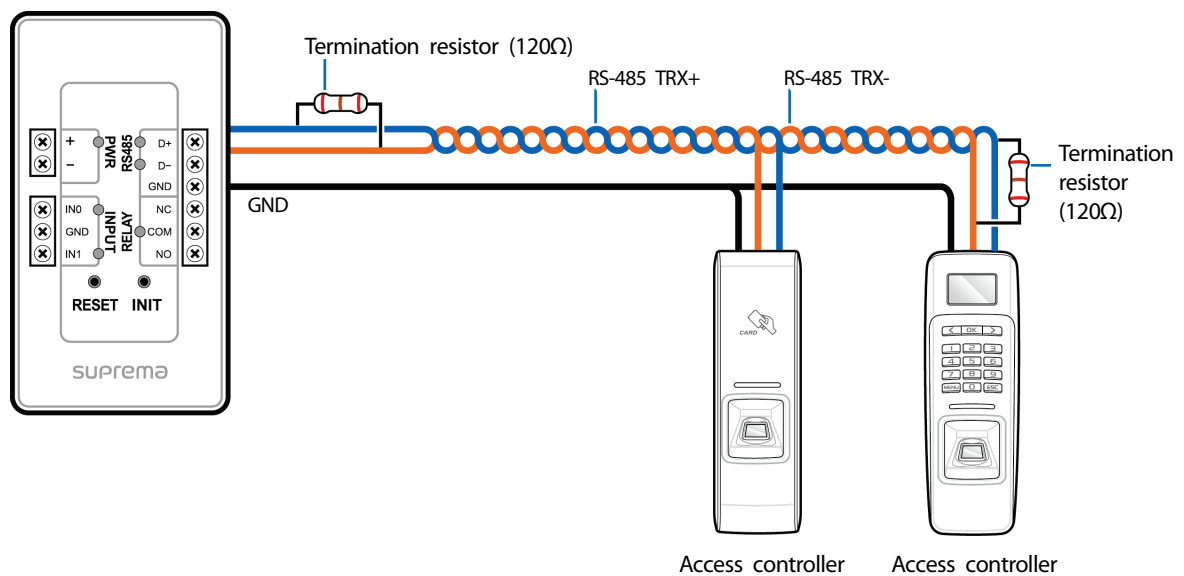
## Power

- Do not share the power with the access controller.
- If the power is shared by other devices, it should provide 9–18V and a minimum of 500 mA.
- When using a power adapter, it should have IEC/EN 60950-1 certification.



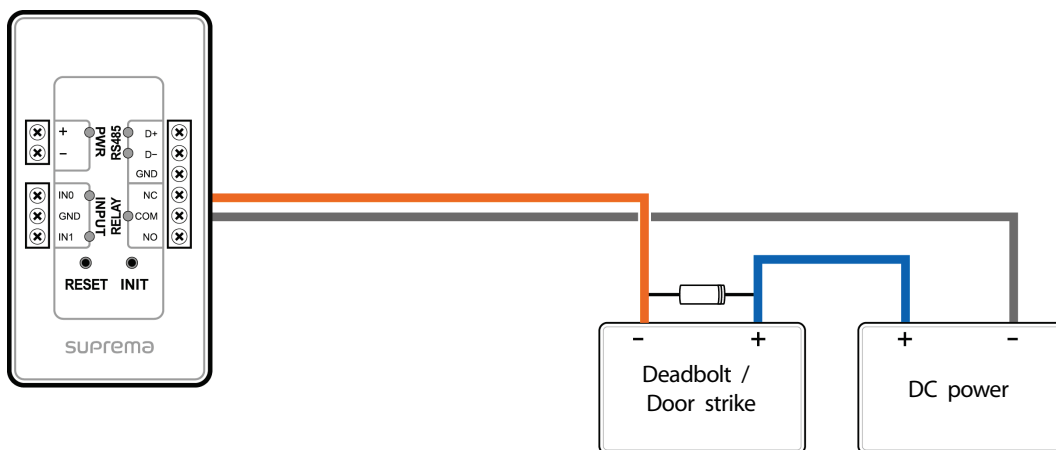
## RS-485

- RS-485 should be AWG24, twisted pair, and maximum length is 1.2 km.
- Connect a termination resistor (120Ω) to both ends of a RS-485 daisy chain connection. It should be installed at both ends of the daisy chain. If it is installed in the middle of the chain, the performance in communicating will deteriorate because it reduces the signal level.



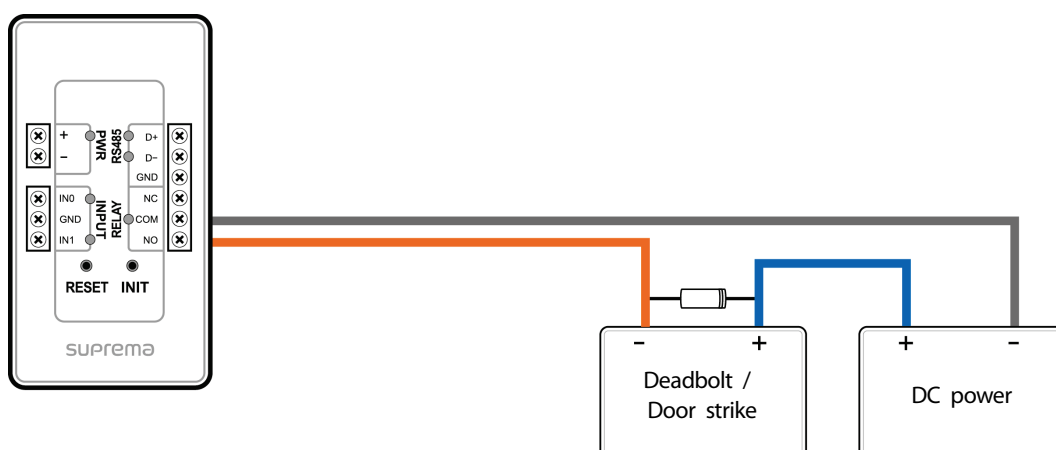
## Fail Safe Lock

- To use fail safe lock, connect NC terminal as shown below. Normally, there is a current flowing through the relay and the door is opened when the relay is activated by blocking current flow. The door will also be opened when there is a blackout or power failure caused by external conditions.
- When deadbolt or door strike is installed, the diode included with the product should be connected at both ends of the power input as shown in the figure. Place the diode carefully in the correct direction. The cathode (stripe mark) should be connected to the (+) of the power.



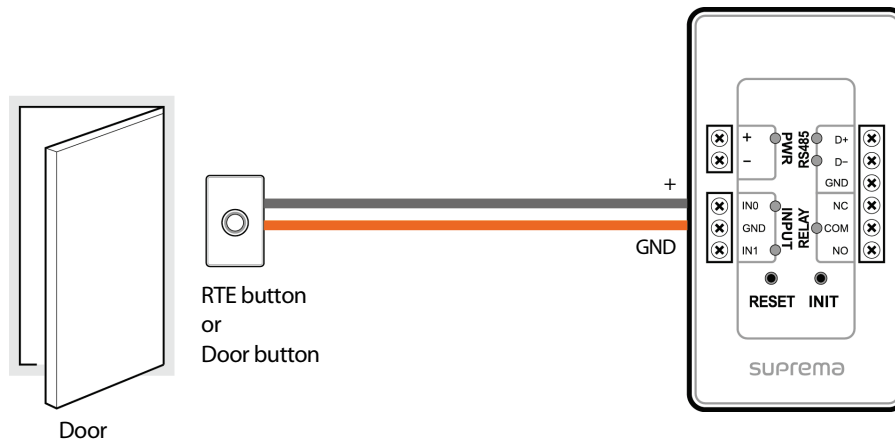
## Fail Secure Lock

- To use fail secure lock, connect NO terminal as shown below. Normally, there is no current flowing through the relay and the door is opened when the relay is activated by a current flows. The door is locked when there is a blackout or power failure caused by external conditions.
- When deadbolt or door strike is installed, the diode included with the product should be connected at both ends of the power input as shown in the figure. Place the diode carefully in the correct direction. The cathode (stripe mark) should be connected to the (+) of the power.

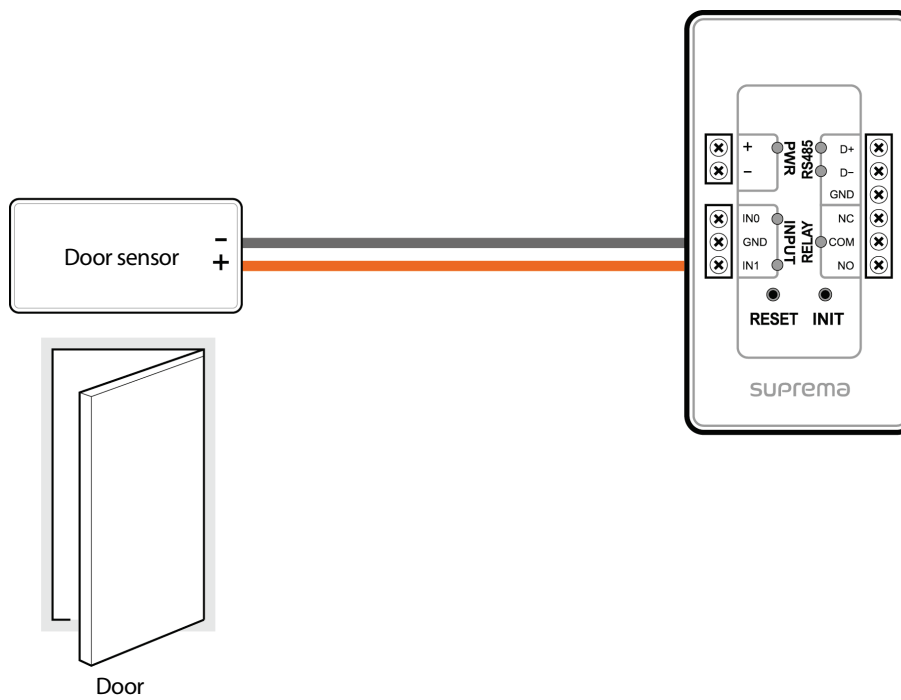




## Door button



## Door sensor



## Product Specifications

Item	Specification
CPU	Cortex M 32 MHz
Memory	128 KB Flash + 20 KB RAM
LED	6 LEDs (PWR, RS-485 TX/RX, IN1, IN2, Relay)
Input/Output terminal	Input 2 channels, Relay 1 channel, RS-485 1 channel
Dimensions (Width x Height x Depth)	36mm x 65mm x 18mm
Power	<ul style="list-style-type: none"><li>• Recommended: 9VDC (130 mA), 12 VDC (100 mA), 18 VDC (70 mA)</li><li>• Maximum: 18 VDC (200 mA)</li><li>• Current: Maximum 200 mA</li></ul>
Relay	<ul style="list-style-type: none"><li>• Voltage: Max. 24 VDC</li><li>• Current: 0.5A, Max. 1A</li></ul>

## FCC Compliance Information

THIS DEVICE COMPLIES WITH PART 15 OF THE FCC RULES.

Operation is subject to the following two conditions:

- (1) This device may not cause harmful interference, and
- (2) This device must accept any interference received, including interference that may cause undesired operation.

Note: This equipment has been tested and found to comply with the limits for a Class B digital device, pursuant to part 15 of the FCC Rules. These limits are designed to provide reasonable protection against harmful interference in a residential installation. This equipment generates, uses, and can radiate radio frequency energy and, if not installed and used in accordance with the instructions, may cause harmful interference to radio communications. However, there is no guarantee that interference will not occur in a particular installation. If this equipment does cause harmful interference to radio or television reception, which can be determined by turning the equipment off and on, the user is encouraged to try to correct the interference by one or more of the following measures:

- Reorient or relocate the receiving antenna.
- Increase the separation between the equipment and receiver.
- Connect the equipment into an outlet on a circuit different from that to which the receiver is connected.
- Consult the dealer or an experienced radio/TV technician for help.

Modifications not expressly approved by the manufacturer could void the user's authority to operate the equipment under FCC rules.

# Appendix

## Disclaimers

- This document provides the information pertaining to Suprema's products.
- The right of use is granted only to the products that are covered by the sales agreement and conditions guaranteed by Suprema. Any license of intellectual property that is not dealt within this document is not granted.
- Suprema does not provide any warranty or liability of fitness or merchantability for a particular purpose and of infringement of patents, copyrights, or other intellectual properties, regarding the sales or use of Suprema's products.
- Do not use Suprema's products in either circumstances where people could be hurt or die as a consequence of malfunctions of the products or circumstances related to medical treatments, the rescue of lives, or life supports. If a user suffers an accident in one of the circumstances mentioned above, employees, subsidiaries, branches, partners, and distributors of Suprema are exempt from liability even when it is claimed that there is a significant fault in the design or production process, and also they are not liable for any direct or indirect cost or expenditure including legal costs.
- Suprema can change the standard and specification of its products anytime without notice in order to improve the stability, functions, or design of the products. Designers should keep in mind that the functions or explanations denoted as "to be implemented" or "not defined" can be changed anytime. Suprema will implement or define such items in the shortest possible time, and will not accept any liability for problems incurred including compatibility issues.
- Contact Suprema, sales representatives of Suprema, or local distributors in order to get the latest specifications before ordering products.

## Copyright Notice

Suprema has the copyright of this document. The rights of other product names, brands, and trademarks belong to individuals or organizations who own them.



[www.supremainc.com](http://www.supremainc.com)

---

Suprema Inc. 16F Parkview Office Tower, Jeongja-dong, Bundang-gu Seongnam, Gyeonggi, 463-863 Korea  
Tel) +82-31-783-4502 Fax) +82-31-783-4503

**Sales information** [sales@supremainc.com](mailto:sales@supremainc.com) **Technical support** [support@supremainc.com](mailto:support@supremainc.com)